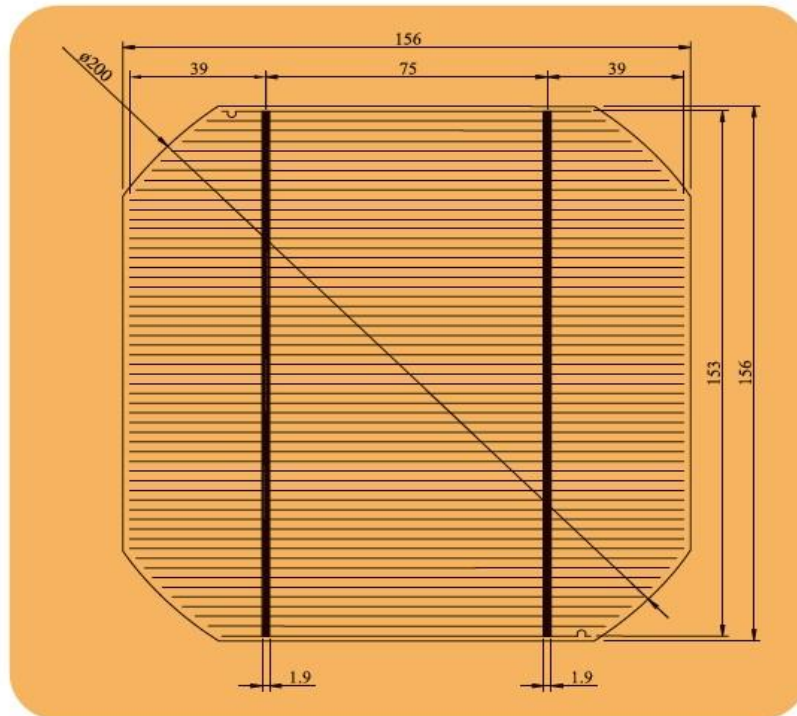




SOLAR POWER UTILITY TECHNOLOGY

Electrical Performance for Monocrystalline 156x156 Solar Cell

Efficiency Code	Efficiency (%)	Power (W)	Average	Imp (A)	Vmp (V)	Isc (A)	Voc (V)
SPU-920	>19.10	>4.648	>4.648	>8.391	>0.551	>9.205	>0.631
SPU-900	18.90-19.10	4.600-4.648	4.624	8.391	0.551	9.205	0.631
SPU-880	18.70-18.90	4.551-4.600	4.575	8.379	0.546	9.133	0.630
SPU-860	18.50-18.70	4.502-4.551	4.526	8.351	0.542	9.074	0.629
SPU-840	18.30-18.50	4.453-4.502	4.478	8.338	0.537	9.001	0.628
SPU-820	16.60-16.80	4.600-4.648	4.429	8.324	0.532	8.940	0.628
SPU-800	16.40-16.60	4.600-4.648	4.380	8.310	0.527	8.787	0.627
SPU-780	16.20-16.40	4.600-4.648	4.332	8.281	0.523	8.851	0.627
SPU-760	16.00-16.20	4.600-4.648	4.283	8.284	0.517	8.838	0.626
SPU-740	15.80-16.00	4.600-4.648	4.234	8.222	0.515	8.751	0.626
SPU-720	15.60-15.80	4.600-4.648	4.186	8.206	0.510	8.735	0.625
SPU-700	15.40-15.60	4.600-4.648	4.137	8.176	0.506	8.728	0.625





SOLAR POWER UTILITY TECHNOLOGY

